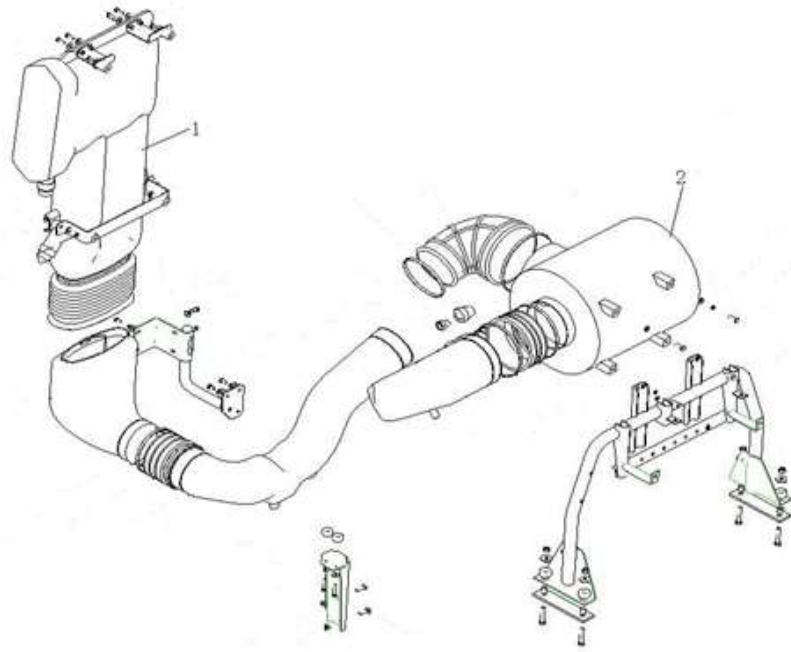


2.2 发动机附件/Engine Accessories

序号/ No.	名 称 / Designation		页 码 / Page No.
2.2.01	HOWO进气系统(中长驾驶室抬高114.5/10L/300车架/公路车)/Air Intake System	1
2.2.02	HOWO大功率瘦版冷却模块系/Cooling Model	4
2.2.03	11款后置膨胀水箱冷却系(发动机抬高96C机8X4)/Cooling System	5
2.2.04	HOWO国V恒压排气系统(标准孔/Φ122 X360/抬高/长驾驶室/SCR自制后处理)/Exhaust System	9
2.2.05	尿素箱及安装(D20发动机/自制喷射系统)/Urea box and install	12
2.2.06	300L铝合金油箱燃油系(HOWO/D10B/620x540截面/车架直面安装)/Fuel Supply System	13
2.2.07	电子油门系统/Electronic Accelerator System	14
2.2.08	发动机悬置(HW7/D10B/8X4/8+8/80翼面/发动机72mm/倾斜1.2° /2016款)/Engine Mounting	15
2.2.09	HOWO左置车用发动机附件/Engine Accessory Unit	16
2.2.10	SCR系统(HOWO 8×4自卸车/重汽/加热)/SCR System	17

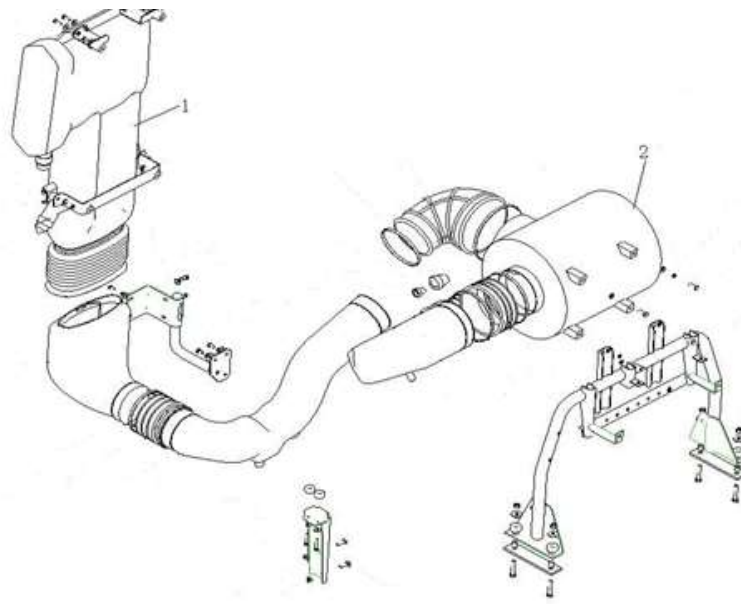
2.2.01 HOWO进气系统(中长驾驶室抬高114.5/10L/300车架/公路车)/Air Intake System



2.2.01 HOWO进气系统(中长驾驶室抬高114.5/10L/300车架/公路车)/Air Intake System

序号	零部件图号	名称	Part Name	数量	备注
No.	Part No.			Qty	Remark
1	WG9725190012	双筒式旋风管进气道总成	Air intake pipe	1	
2	WG9725191700	空滤器总成	Air filter assembly	1	
3	ZQ1840835	六角法兰面螺栓M8	Hexagon bolts with flange	2	
4	ZQ1840850	六角法兰面螺栓M8	Hexagon bolts with flange	2	
5	ZQ32008	六角法兰面螺母M8	Hexagon nuts with flange	2	
6	ZQ1840860	六角法兰面螺栓M8	Hexagon bolts with flange	2	
7	ZQ1840825	六角法兰面螺栓M8	Hexagon bolts with flange	4	
8	ZQ32008	六角法兰面螺母M8	Hexagon nuts with flange	4	
9	WG9725191360	连接管	Connecting pipe	1	
10	WG9432190320	加长排尘阀	Dust exhausting valve	1	
11	ZQ1840816	六角法兰面螺栓M8	Hexagon bolts with flange	2	
12	WG9725190916	下进气道支架总成	Lower air intake pipe brack	1	
13	ZQ1841016	六角法兰面螺栓M10	Hexagon bolts with flange	3	
14	WG9725191356	进气胶管	Hose	1	
15	AZ9003980026	软管卡箍-180/230 N0507	Hose clamp	2	
16	WG9725191355	连接管	Connecting pipe	1	
17	WG9725191390	排尘袋	Dirt bag	1	
18	190003989308	软管卡箍	Hose clamp	1	
19	WG9725190909	橡胶块	Rubber block	2	
20	ZQ1841030	六角法兰面螺栓M10	Hexagon bolts with flange	2	

2.2.01 HOWO进气系统(中长驾驶室抬高114.5/10L/300车架/公路车)/Air Intake System

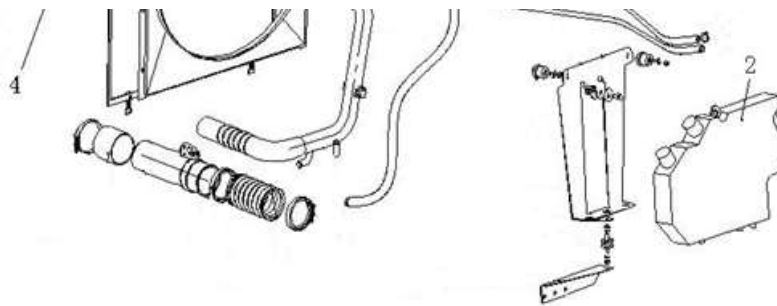


2.2.01 HOWO进气系统(中长驾驶室抬高114.5/10L/300车架/公路车)/Air Intake System

序号 No.	零部件图号 Part No.	名称	Part Name	数量 Qty	备注 Remark
21	WG9725191380	支架	Bracket	1	
22	WG9725190905	橡胶软管180	Rubber hose	1	
23	AZ9003980030	软管卡箍 180/200 N0507	Hose clamp	2	
24	WG9725191350	空滤器进气管	Air intake pipe	1	
25	WG9725190905	橡胶软管180	Rubber hose	1	
26	AZ9003980030	软管卡箍 180/200 N0507	Hose clamp	2	
27	ZQ1841030	六角法兰面螺栓M10	Hexagon bolts with flange	4	
28	WG1200190040	干式空滤器堵塞指示器开	Indicator switch	1	
29	WG9100770028	保护罩	Protect cover	1	
30	AZ9003090010	复合密封垫圈10 QZZ2105	Sealing washer	1	
31	WG9725191362	空滤器支架总成	Bracket assembly	1	
32	WG9725191367	支架	Bracket	2	
33	ZQ1851245	六角法兰面螺栓M12*1.25	Hexagon bolts with flange	6	
34	ZQ32312	六角法兰面螺母M12	Hexagon nuts with flange	6	
35	ZQ18114100TF6	六角法兰面带齿螺栓M14*	Hexagon flange bolts with t	4	
36	ZQ32514T13F6	六角法兰面带齿螺母M14*	Hexagon flange nuts with te	4	
37	WG9725190905	橡胶软管180	Rubber hose	1	
38	AZ9003980030	软管卡箍 180/200 N0507	Hose clamp	2	
39	WG9725191370	空滤器出气管	Air outlet pipe	1	
40	WG9725190906	橡胶软管104	Rubber hose	1	

2.2.01 HOWO进气系统(中长驾驶室抬高114.5/10L/300车架/公路车)/Air Intake System

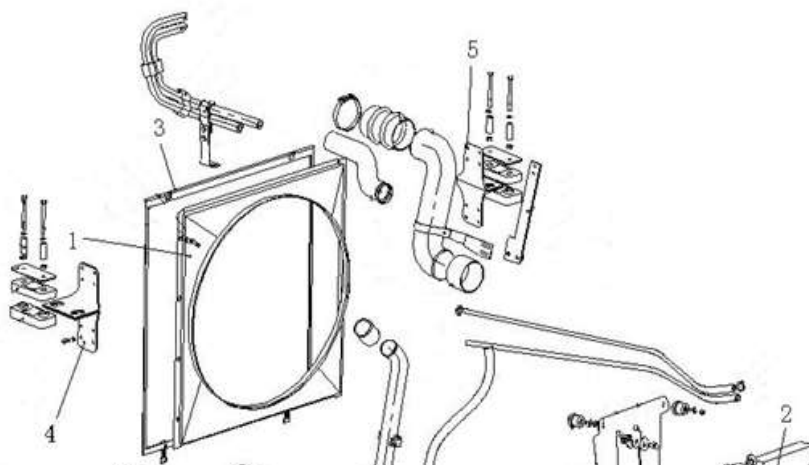


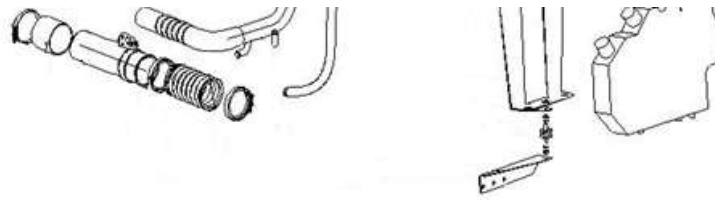


2. 2. 03 11款后置膨胀水箱冷却系（发动机抬高96C机8X4）/Cooling System

序号	零部件图号	名称	Part Name	数量	备注
No.	Part No.			Qty	Remark
1	WG9731530503	风扇护风罩	Fan cover	1	
2	WG9112530333	膨胀水箱总成	Expansion tank	1	
3	WG9727530013	HOWO大防虫网总成	Insect net assembly	1	
4	WG9725530647	散热器左支架	Bracket left for radiator	1	
5	WG9725530637	散热器右支架	Bracket right for radiator	1	
6	WG9725538201	垫板	Plate	2	
7	WG9725538202	散热器上减振垫总成	Upper rubber block	2	
8	WG9725538203	散热器下减振垫总成	Lower rubber block	2	
9	WG9725538220	套管	Casing	4	
10	ZQ150B10110	六角头螺栓M10	Bolts	4	
11	Q40210	大垫圈	Washer	4	
12	ZQ33210	2型全金属六角锁紧螺母	Nut	4	
13	ZQ1840816	六角法兰面螺栓M8	Hexagon bolts with flange	6	
14	ZQ1840816	六角法兰面螺栓M8	Hexagon bolts with flange	6	
15	WG9719530236	散热器出水管	Outlet water pipe	1	
16	WG9725531108	散热器出水管	Outlet water pipe	1	
17	WG9725530515	散热器出水管支架	Bracket	1	
18	ZQ1840840	六角法兰面螺栓M8	Hexagon bolts with flange	1	
19	ZQ32008	六角法兰面螺母M8	Hexagon nuts with flange	1	
20	Q40208	大垫圈	Washer	1	

2. 2. 03 11款后置膨胀水箱冷却系（发动机抬高96C机8X4）/Cooling System

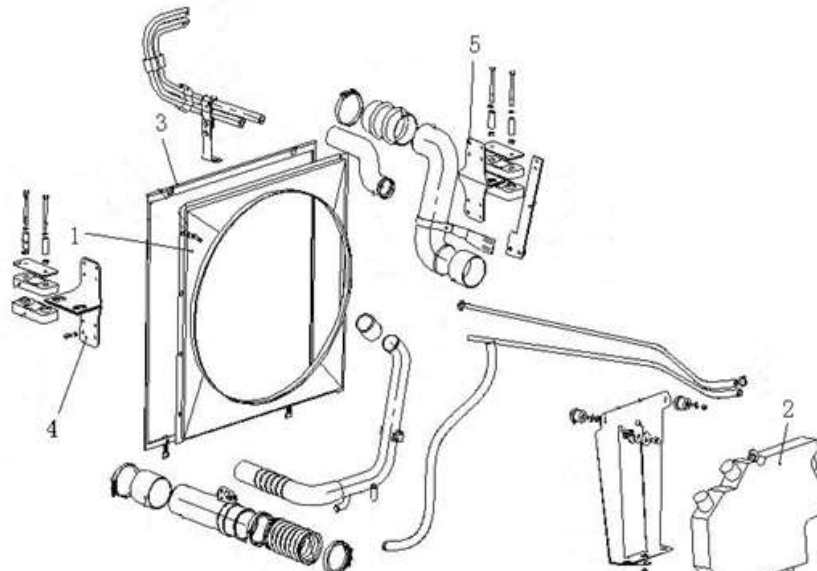




2.2.03 11款后置膨胀水箱冷却系（发动机抬高96C机8X4）/Cooling System

序号	零部件图号	名称	Part Name	数量	备注
No.	Part No.			Qty	Remark
21	AZ9003980010	软管卡箍 60/79 N0507	Hose clamp	2	
22	190003990037	管夹	Clip	1	
23	WG9719530228	胶管	Hose	1	
24	AZ9003980010	软管卡箍 60/79 N0507	Hose clamp	2	
25	WG9725530511	散热器进水胶管	Hose	1	
26	190003989310	软管卡箍	Hose clamp	2	
27	WG9731530047	中冷器进气钢管总成	Air intake tube	1	
28	ZQ1811645	六角法兰面带齿螺栓M16*	Hexagon flange bolts with t	1	
29	ZQ32516	六角法兰面带齿螺母M16*	Hexagon flange nuts with te	1	
30	WG9730530011	中冷器进气胶管	Hose	1	
31	WG9925530022	卡箍	Clamp	2	
32	WG9003980060	强力卡箍	Clamp	3	
33	WG9725530516	中冷器进气胶管	Hose	1	
34	WG9719530316	中冷器出气铸铝管	Air outlet pipe	1	
35	WG9719530319	中冷器出气管密封垫	Gasket	1	
36	ZQ32010	六角法兰面螺母M10	Hexagon nuts with flange	4	
37	WG9725530505	中冷器出气胶管	Hose	1	
38	WG9725530760	强力卡箍	Clamp	1	
39	ZQ1840816	六角法兰面螺栓M8	Hexagon bolts with flange	8	
40	Q40208	大垫圈	Washer	8	

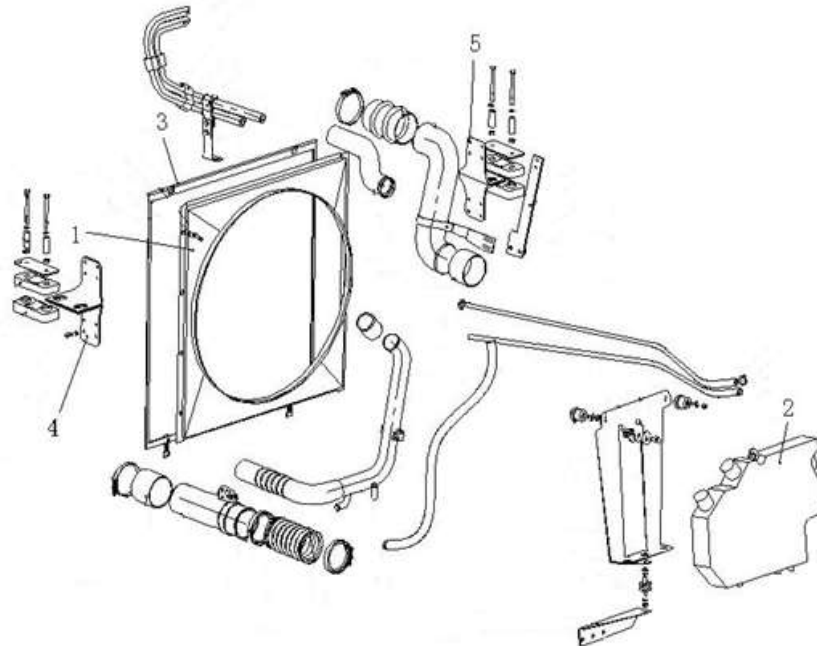
2.2.03 11款后置膨胀水箱冷却系（发动机抬高96C机8X4）/Cooling System



2. 2. 03 11款后置膨胀水箱冷却系（发动机抬高96C机8X4）/Cooling System

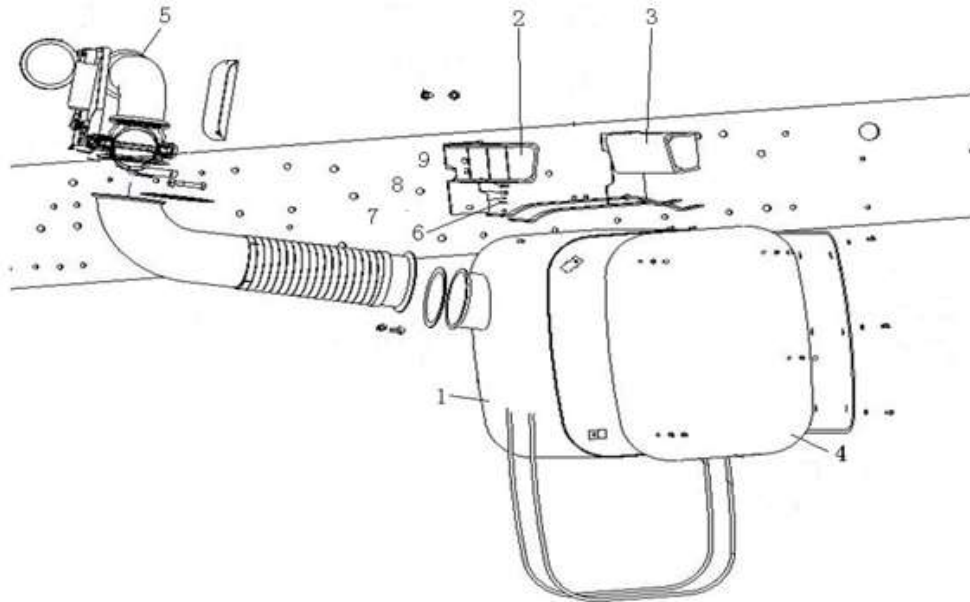
序号	零部件图号	名称	Part Name	数量	备注
No.	Part No.			Qty	Remark
41	WG9719530037	膨胀箱胶管8*4500	Hose	2	
42	WG9725531601	管直接头(φ20)	Joint	1	
43	WG9725531602	膨胀水箱胶管(驾驶室)	Hose	1	
44	WG9725531604	膨胀水箱胶管(短驾驶室)	Hose	1	
45	WG9725531603	膨胀水箱胶管(发动机端)	Hose	1	
46	WG9725530025	管夹	Pipe clamp	4	
47	ZQ32006	六角法兰面螺母M6	Hexagon nuts with flange	4	
48	WG9727530034	暖风胶管950	Hose	1	
49	WG9727530035	暖风胶管1150	Hose	1	
50	WG9727530025	暖风胶管卡箍	Clamp	1	
51	190003989340	软管卡箍	Hose clamp	8	
52	190003989300	软管卡箍	Hose clamp	4	
53	WG9727530028	暖风胶管支架	Stents	1	
54	WG9727530026	胶管胶套	Rubber sleeve	1	
55	WG9727530027	胶管橡胶套	Hose with rubber	2	
56	ZQ32010	六角法兰面螺母M10	Hexagon nuts with flange	2	
57	ZQ1841035	六角法兰面螺栓M10	Hexagon bolts with flange	2	
58	WG9725530131	膨胀水箱支架	Bracket	1	
59	WG9725530137	膨胀水箱固定支架板	Fixed supporting plate	1	
60	WG80A 540083	橡胶金属支撑	Rubber metal support	1	

2. 2. 03 11款后置膨胀水箱冷却系（发动机抬高96C机8X4）/Cooling System



No.	Part No.	名称	Part Name	Qty	Remark
1	WG9725540538	消声器总成	Muffler assembly	1	
2	WG9725540880	消声器前支架总成	Front bracket	1	
3	WG9725540890	消声器后支架总成	Rear bracket	1	
4	WG9719540030	装饰板	Decorative panel	1	
5	WG9725542024	EVB排气管总成 (96机、EVB exhaust pipe assembly	EVB exhaust pipe assembly	1	
6	WG9925540557	密封垫 (直径120mm)	Gasket	1	
7	Q150B1050	六角头螺栓	Hexagon head bolts	2	
8	Q40310	弹簧垫圈	Spring washer	2	
9	Q340B10	六角螺母	HEXAGON NUT	2	
10	WG9731549095	金属软管	Flexible metal tubing	1	
11	WG9112540502	卡箍	Clamp	2	
12	ZQ150B0845	六角头螺栓M8	Hexagon head bolts	2	
13	ZQ340B08	1型六角螺母M8	Hexagon nuts ,style 1	4	
14	WG9925540510	密封垫 (直径116mm)	Gasket	1	
15	WG84D 410007	橡胶金属软垫	Metal rubber cushion	4	
16	Q150B1025	六角头螺栓	Hexagon head bolts	4	
17	Q40310	弹簧垫圈	Spring washer	4	
18	WG9731540828	排气管支架	Bracket	2	
19	Q150B1016	六角头螺栓	Hexagon head bolts	4	
20	Q40210	大垫圈	Washer	4	

2.2.04 HOWO排气系统 /Exhaust System

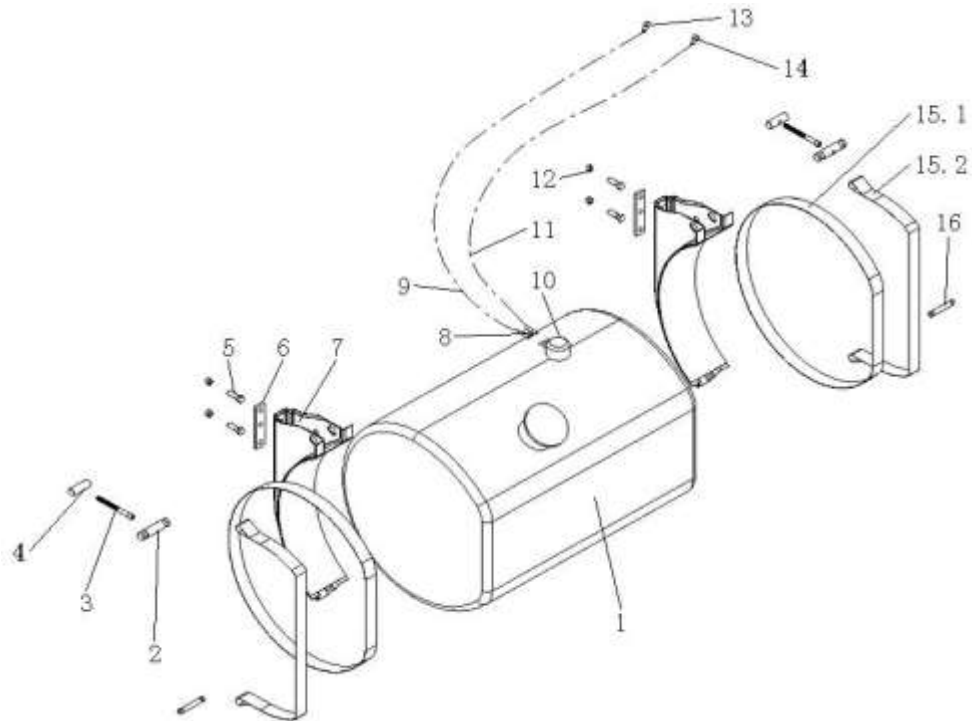


2.2.04 HOWO排气系统 (标准孔/Φ122 X360/抬高/长驾驶室)/Exhaust System

序号	零部件图号	名称	Part Name	数量	备注
No.	Part No.			Qty	Remark
21	Q40310	弹簧垫圈	Spring washer	4	
22	WG9731540601	金属软管	Flexible metal tubing	1	

23	WG9925540503	密封垫(直径149mm)	Gasket	2	
24	WG9725540009	卡箍	Clamp	4	
25	ZQ150B0845	六角头螺栓M8	Hexagon head bolts	4	
26	ZQ340B08	1型六角螺母M8	Hexagon nuts ,style 1	8	
27	WG9731540083	卡箍	Clamp	2	
28	WG9731540084	卡箍	Clamp	2	
29	Q150B0845	六角头螺栓	Hexagon head bolts	2	
30	Q33208	2型全金属六角锁紧螺母	Nut	2	
31	ZQ1811440TF6	六角法兰面带齿螺栓M14*	Hexagon flange bolts with t	6	
32	ZQ32514T13F6	六角法兰面带齿螺母M14*	Hexagon flange nuts with te	6	
33	WG9725540965	限位板	Limit plate	2	
34	WG9725540967	拉紧杆	Tension rod	2	
35	712W41615-6030	氮氧传感器支架	Bracket	1	
36	WG9000230001	球面垫圈	Washers with ball face	4	
37	WG9000230002	锥面垫圈	Washers with cone face	4	
38	ZQ32410T13F6	六角法兰面带齿螺母M10	Hexagon flange nuts with te	4	
39	ZQ340B10	1型六角螺母M10*1.5	Hexagon nuts ,style 1	4	
40	WG9719540017	隔热板	Heat shield	1	

2.2.06 金王子6*4燃油系统(D型400L)/Fuel Tank&Supply System

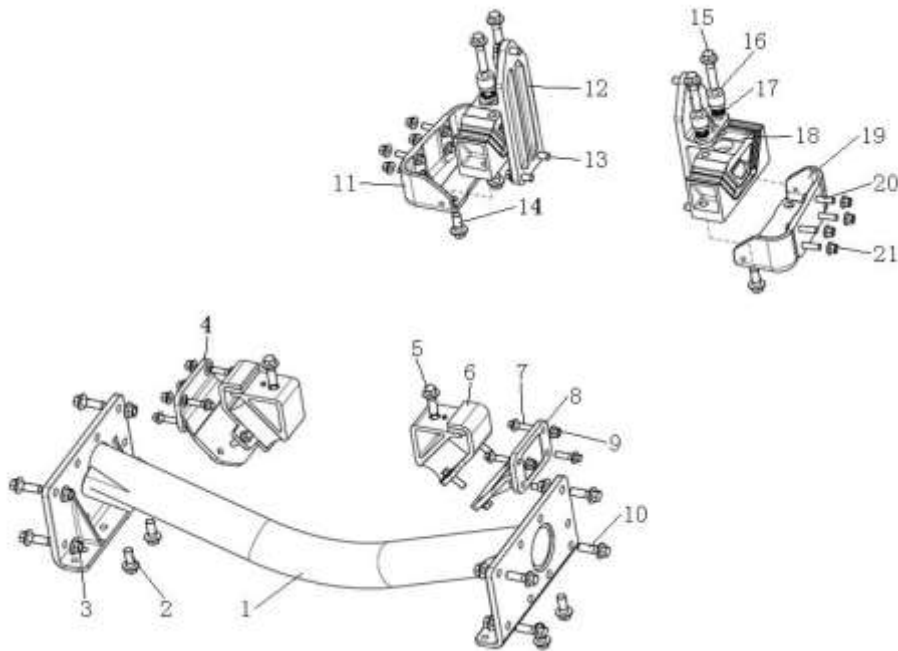


2.2.06 300L铝合金油箱燃油系(HOWO/D10B/620x540截面/车架直面安装)/Fuel Supply System

序号 No.	零部件图号 Part No.	名称	Part Name	数量 Qty	备注 Remark
1	WG9725550006	D型铝合金燃油箱总成(400L)	Fuel tank	1	
2	AZ9112550227	拉紧销	Pin	2	
3	AZ9112550230	内六角螺栓	Bolt	2	

4	AZ9112550228	拉紧销	Pin	2	
5	Q150B1650	六角头螺栓	Bolt	4	
6	WG9925550128	板	Plate	2	
7	AZ9725550009	D型油箱支架总成	D-type ltank bracket assem	2	
8	AZ9112550121	聚酰胺管	Plastic tube	50cm	
9	AZ9725550120	聚酰胺管 12*1.5	Plastic tube	250cm	
10	WG9625550131	燃油传感器(Φ12X1.5)	Fuel level sensor	1	
11	AZ9725550120	聚酰胺管 12*1.5	Plastic tube	200cm	
12	Q33216	自锁螺母	Nut	4	
13	WG9725550004	管接头(12X1.5-M16)	Connector	1	
14	WG9014230031	软管接头	Nozzle	1	
15	AZ9725550010	D型油箱拉带总成	D-type tank strap assembly	2	
15.1	WG9725550009	D型燃油箱紧固带(400L)	Strap	1	
15.2	WG9725550010	D型燃油箱垫带(400L)	Strap	1	
16	AZ9112550229	拉紧销	Pin	2	

2. 2. 08 发动机悬置(HW7/D10B/8X4/8+8/80翼面/发动机72mm/倾斜1.2°/2016款)/Engine Mounting



2. 2. 08 发动机悬置(HW7/D10B/8X4/8+8/80翼面/发动机72mm/倾斜1.2°/2016款)/Engine Mounting

序号 No.	零部件图号 Part No.	名称	Part Name	数量 Qty	备注 Remark
1	WG9731590135	管状横梁总成	Cross member assembly	1	
2	ZQ1811640TF6	六角法兰面带齿螺栓M16*	Hexagon flange bolts with t	4	
3	ZQ32516T13F6	六角法兰面带齿螺母M16*	Hexagon flange nuts with te	12	
4	WG9731590302	前悬置右支架	Bracket	1	
5	ZQ1811650TF6	六角法兰面带齿螺栓M16*	Hexagon flange bolts with t	2	
6	WG9725590600	前橡胶支承总成	Front rubber mounting asse	2	

7	ZQ1811240TF6	六角法兰面带齿螺栓M12*	Hexagon flange bolts with t	12	
8	WG9731590301	前悬置左支架	Bracket	1	
9	ZQ32512T13F6	六角法兰面带齿螺母M12*	Hexagon flange nuts with te	12	
10	ZQ1811645TF6	六角法兰面带齿螺栓M16*	Hexagon flange bolts with t	8	
11	WG9725590416	右支架	Bracket	1	
12	WG9725593026	支承托架	Bracket	2	
13	ZQ1811440TF6	六角法兰面带齿螺栓M14*	Hexagon flange bolts with t	6	
14	ZQ1811640TF6	六角法兰面带齿螺栓M16*	Hexagon flange bolts with t	4	
15	ZQ1811675TF6	六角法兰面带齿螺栓M16*	Hexagon flange bolts with t	4	
16	WG9725592011	套筒	Sleeve	4	
17	WG9000310016	嵌入式锁紧垫圈(M16)	Embedded lock washer	4	
18	WG9725592131	楔形支承总成	Bracket assembly	2	
19	WG9725590415	左支架	Bracket	1	
20	ZQ1811250TF6	六角法兰面带齿螺栓M12*	Hexagon flange bolts with t	8	
21	ZQ32512T13F6	六角法兰面带齿螺母M12*	Hexagon flange nuts with te	8	

2. 2. 09 HOWO左置车用发动机附件/Engine Accessory Unit



2. 2. 09 HOWO左置车用发动机附件/Engine Accessory Unit

序号 No.	零部件图号 Part No.	名称	Part Name	数量 Qty	备注 Remark
1	WG2600010919	机油加油管	Tube	1	
2	190003989306	软管卡箍	Hose clamp	2	
3	WG1500010079	带纤维夹层的橡胶软管	Hose	1	
4	WG2600010489	加油管盖总成	Cover assembly	1	
5	Q150B1025	六角头螺栓	Bolt	1	
6	Q150B0816	六角头螺栓	Bolt	1	
